



VITINNITM

MULTI FUNCTIONAL MINI BLENDER

INSTRUCTION MANUAL

PLEASE READ AND KEEP THESE INSTRUCTIONS FOR FUTURE USE

MODEL NO: HB-2240T

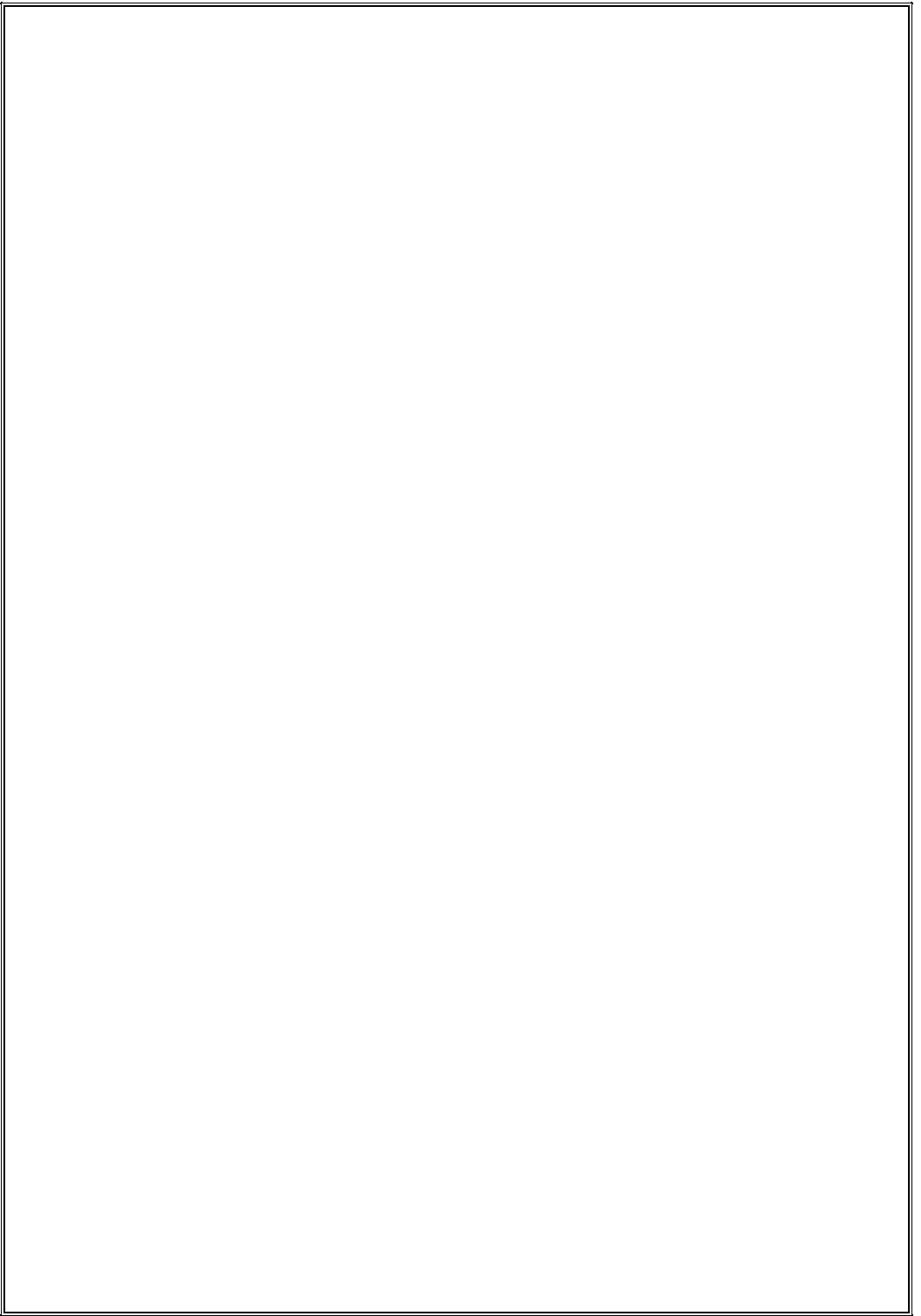
SAP Code: JF07532001

For further assistance, other products and more, join us at:

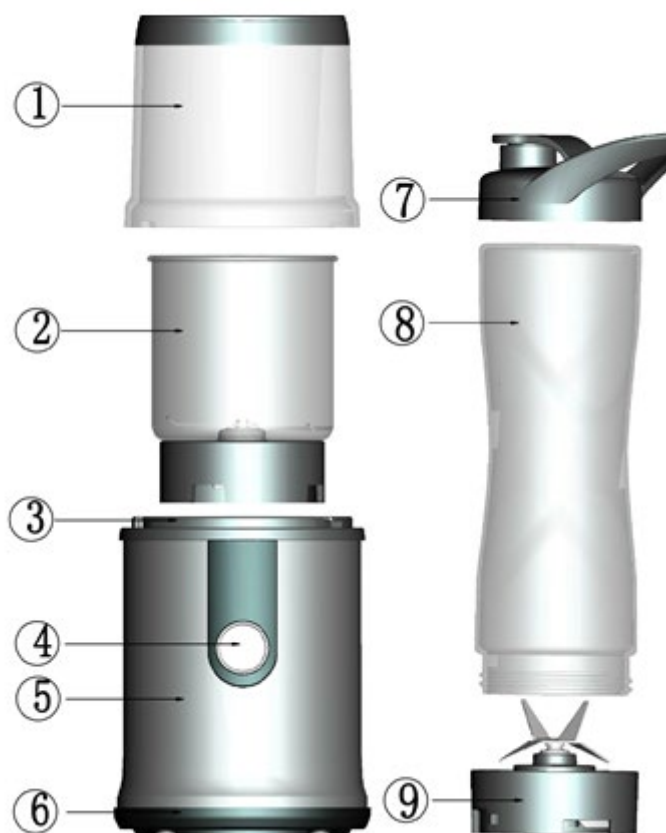
Website: www.vitinni.co.uk

Instagram: [@vitinniuk](https://www.instagram.com/vitinniuk)

Facebook: www.facebook.com/vitinni



Parts List



1 Dry Grinding cup lid	6 Base
2 Dry grinding cup	7 Portable bottle lid
3 Top body	8 Portable bottle body
4 On/Off Button	9 Blade holder
5 Body	

General Safety Instructions

- Read the operating instructions carefully before using the Mini Blender for the first time.
- This Mini Blender is designed for personal use and is not suitable for commercial use.
- Do not use outdoors. Keep away from direct sunlight, heat sources and do not use with wet hands.
- Before cleaning ensure the Mini Blender is switched off and the plug removed from the socket.

Warning

- Before using, please ensure that your output voltage is the same voltage as stated on the rating label of the Mini Blender.
- Before use please check the power cord and accessories of the Table Blender, do not use if there is any damage.
- Ensure the power cord is not hanging over any sharp edges or overhanging the worktop.
- Do not plug in or use the Mini Blender with wet hands.
- Do not use the Mini Blender on a tablecloth or near curtains to avoid the risk of burning.
- When in use do not use an external power cord connection.
- Failure to follow these instructions can result in damage to the appliance and harm to the user. No liability is accepted if these instructions are not followed or if damage results through improper use. Any attempt to alter the appliance or not follow instructions may result in harm and will also void any warranty.
- The Mini Blender should be placed on a stable surface when in use.
- Do not place anything on the top of the Mini Blender.
- Do not use the Mini Blender for anything other than that specified in the operating instructions.
- Do not leave the Mini Blender unattended when in use.
- After using the Mini Blender, press the power button to turn off, and then remove the plug from the socket.
- This appliance shall not be used by children. Keep the appliance and its cord out of reach of children.

- This appliance can be used by persons with reduced physical, sensory or mental capacities or lack of experience or knowledge only if they have been given supervision or instruction concerning use of the appliance in a safe way and understand the hazards involved.
- Care should be taken handling the sharp cutting blades, emptying the bowl and during cleaning.

Caution

- Do not immerse the power cord, plug or housing in water or under the tap during cleaning.
- Unplug the Mini Blender from the wall socket when not in use or before cleaning.
- Do not use any accessories other than those provided.
- Ensure the accessories are clean and dry before putting the food inside.
- If the power cord becomes damaged, it must be replaced by the manufacturer, its service agent or a similarly qualified person.
- Keep the Mini Blender and the power cable out of reach of children.
- The Mini Blender must not be operated by means of an external timer or separate remote-control system.

Before First Use

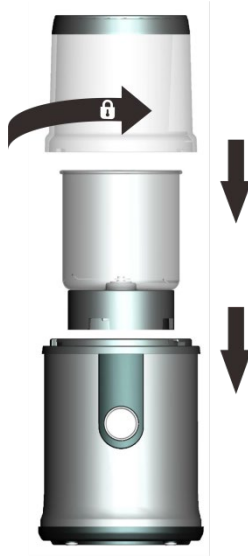
- Remove all packaging materials, stickers and labels.
- Clean with hot soapy water, using a non-abrasive sponge.
- Ensure the inside and outside of the Mini Blender are completely dry.
- Ensure the mini blender is unplugged from the wall socket before assembling, disassembling or cleaning.
- Do not allow the mains lead to hang over edge of a table, worktop, or touch hot surfaces including cookers.
- Don't plug the mini blender into the power supply until it is fully assembled and always unplug before disassembling the appliance, or cleaning.
- Do not exceed the maximum capacity.
- If using the mini blender for no longer than 1minute, then allow a 2 minute interval between uses.
-

Instructions

- After removing the packaging, make sure the product is complete and undamaged and that all accessories are present. Do not use the appliance if it is visibly damaged.
- Check that the mains power supply voltage corresponds to the value indicated on the rating label.

Using the dry grinding cup

- The dry grinding cup is perfectly suited for Coffee beans, nuts, herbs and beans.
- Ensure the mini grinder is on a flat surface.
- Place the container directly on the mini grinder.
- Pour the desired amount of ingredients into the container.
- Tighten the lid by turning it fully in an anti-clockwise direction. A safety device prevents switch-on if the lid is not well inserted.
- Do not attempt operation without the lid being in place.
- Press switch button to turn on the mini grinder and hold it down until the desired level of grinding is obtained.
- Unplug the mini grinder, have a container ready for your ingredients.

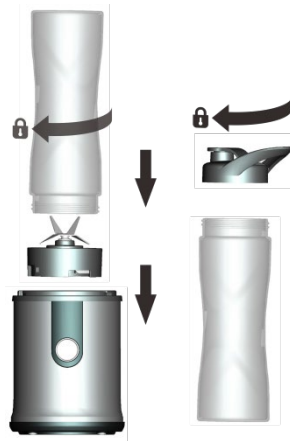


Recommendations

- Only grind the required amount at one time.
- Never overfill the grinding cup.

Using the personal blender

- The Portable Blender is perfectly suited for preparing juice, baby food and for mixing milkshakes and smoothies.
- Open and fill the jar with your favourite ingredients
- Attach to the blade holder and tighten by turning it fully in a clockwise direction.
- Press the on/off button to start the blender and hold it down until the desired level of blending is obtained.
- Remove the blender and knife holder in an anti-clockwise direction.
- The contents can be drunk straight away or used portably when used with the lid.



Cleaning

- Ensure mini grinder is unplugged before cleaning.
- Do not immerse into water.
- Remove any residues using a brush. Do not touch the blade because it is sharp.
- To remove any aromas, grind one tablespoon of baking soda in the bowl then wipe thoroughly.
- Clean the exterior of the mini grinder using a soft cloth.
- Store excess cord by pushing a section at a time into the cord storage area in the base of the unit.

Technical specification

- Voltage: 220-240V~ 50 / 60Hz, Power: 300W
- Class II



Guarantee

Our products are guaranteed for a period of 2 years from the date of purchase. Products that develop a fault within this period are covered by our warranty and we will replace defective parts, or where not available the whole product. The warranty does not apply to any defect in the goods arising from fair wear and tear, wilful damage, accident, negligence by you or any third party, use otherwise than as recommended by us, failure to follow our instructions, any alteration or repair carried out without our approval or has been the subject of commercial use. Your statutory rights remain unaffected, in particular any rights you have under the Consumer Rights Act 2015.

If you have a problem with your product within this warranty period please contact our customer services team.

In the event of changes to the specification of a product and we are not able to replace parts, we will replace the whole product within the 2 year guarantee period

For products that fall outside of the 2 year guarantee, we will endeavour to provide spare parts to purchase for as many of the replaceable parts as possible, but cannot foresee specification changes or upgrades to products or parts outside of the initial 2 year period.

Customer Services:

If you would like further advice or information on your product, ensure you have the SAP code ready and please get in touch with us at Vitinni on the contact options below:

SAP Code: JF07532001

Phone: 01706 716 116 (Mon – Fri 9am to 5pm)

Email: support@vitinni.co.uk

Address: Vitinni, Vale Mill (Rochdale) Ltd, Robinson Street, Rochdale, OL16 1TA