

# VITINNI™

## VITINNI™ ELECTRIC SPIRALIZER

### USER MANUAL

Model Number: SF119

SAP Code: JF07526001



**FOR DOMESTIC USE ONLY**

**PLEASE READ INSTRUCTIONS CAREFULLY BEFORE USE**

**RETAIN THIS MANUAL FOR FUTURE REFERENCE**

## **SAFETY INSTRUCTIONS**

**Please read these instructions thoroughly before use and keep them in a safe place for future reference. Include these instructions if you pass the appliance to a third party.**

**Failure to follow these instructions can result in damage to the appliance and harm to the user. No liability is accepted if these instructions are not followed or if damage results through improper use. Any attempt to alter the appliance or not follow instructions may result in harm and will also void any warranty.**

This appliance can be used by children aged from 8 years and above and persons with reduced physical, sensory or mental capacities or lack of experience or knowledge **only if** they have been given supervision or instruction concerning use of the appliance in a safe way and understand the hazards involved. Children shall not play with the appliance. Cleaning and user maintenance shall not be made by children without supervision.

This appliance should be stored out of the reach of children. Keep packaging away from children.

Please handle with care.

Handle the blades with care, as these are sharp.

This appliance is intended for domestic use only; it is not suitable for commercial use.

Suitable for indoor use only.

The appliance must only be used for its intended purpose.

Check that the voltage shown on the appliance corresponds with the local network before connecting to the mains supply.

Check the cord and appliance before each use to ensure it is undamaged and in full working order. Do not use if the power cord, plug or any part of the appliance show signs of damage.

Never leave the appliance unattended whilst in use.

For use on a stable, heat resistant surface.

Do not move the appliance whilst it is in use.

Ensure the appliance has cooled fully after use before cleaning, servicing or storing.

Ensure the appliance is turned off and unplugged during cleaning and after use.

Store the appliance in a clean and dry place away from extreme temperatures and moisture. Do not store in direct sunlight.

Keep the appliance and its power cord away from liquids, heat sources and sharp edges.

Do not allow the appliance, cord or plug to get wet; never immerse in water or any other liquid. Do not operate the appliance with wet hands.

Ensure the power cord is kept away from hot surfaces, including parts of the appliance that may become hot during use.

Do not pull the cord to disconnect from the socket; always switch off the appliance, grasp the plug firmly and pull to disconnect.

This appliance contains no user serviceable parts. Do not try to repair the appliance yourself as this may cause harm and could also void your warranty.

If the supply cord is damaged, it must be replaced by the manufacturer, its service agent, or similarly qualified persons.

Only use manufacturer-approved accessories and spare parts.

Use of an extension cord is not recommended.

Do not operate the appliance by means of an external timer or separate remote control system.

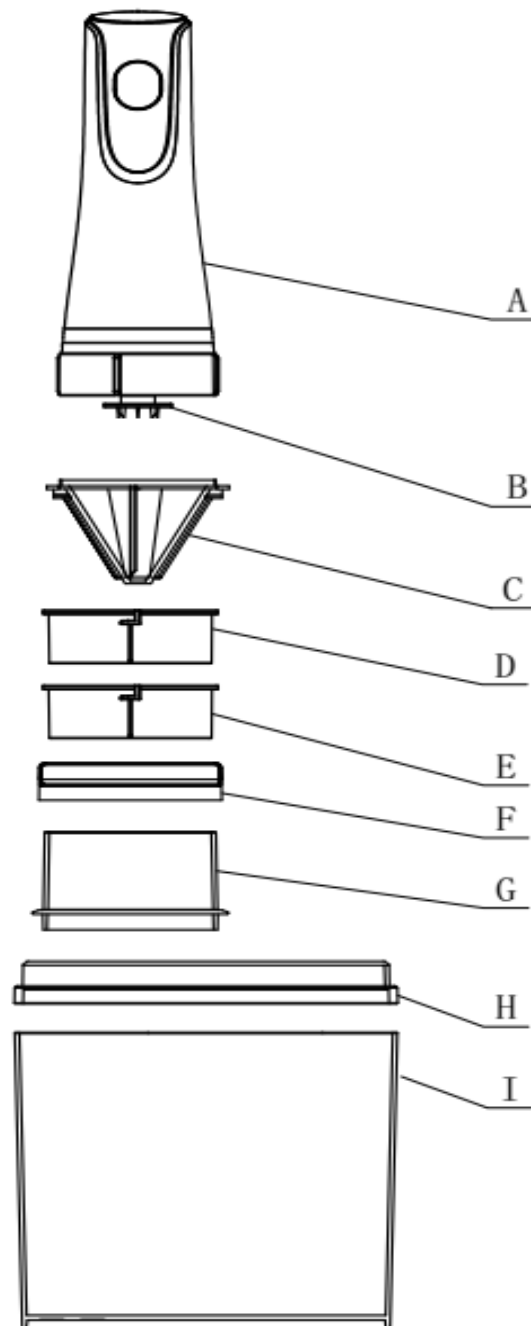
## **PRODUCT SPECIFICATION**

Voltage: 220-240V

Frequency: 50/60Hz

Wattage: 80-100W

## DIAGRAM OF PARTS



### FEATURES

- A- Unit
- B- Food holder
- C- Wide ribbon blade
- D- Shredded spiral blade
- E- Large spiral blade
- F- Lid cover
- G- Food chute
- H- Lid
- I- Bowl

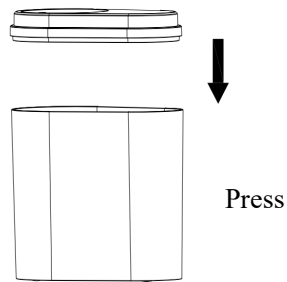
## **BEFORE FIRST USE**

1. Read all instructions and important safeguards.
2. Remove all packaging materials, making sure items are received in good condition.
3. Carefully hand-wash all of the accessories. Rinse and dry thoroughly.

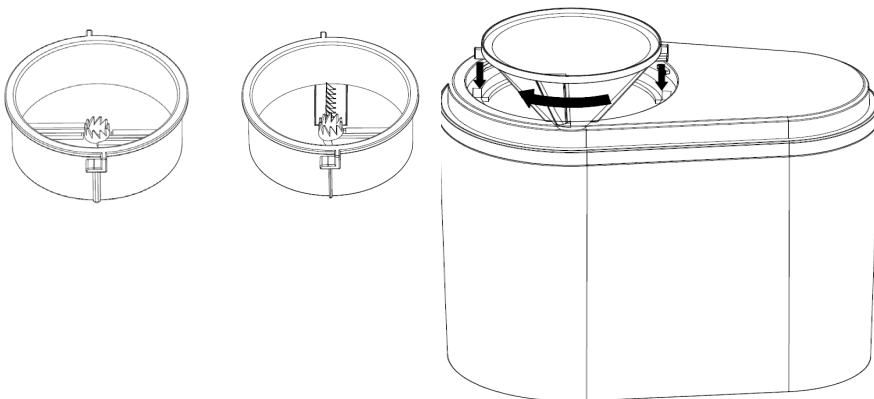
**WARNING: The blades are extremely sharp, handle them with care.**

4. Wipe the electric spiralizer with a soft, damp cloth and dry thoroughly. Do not immerse the motor unit, cord or plug in water at any time.

**Step One:** Place the lid (H) onto the bowl (I) and press downwards.

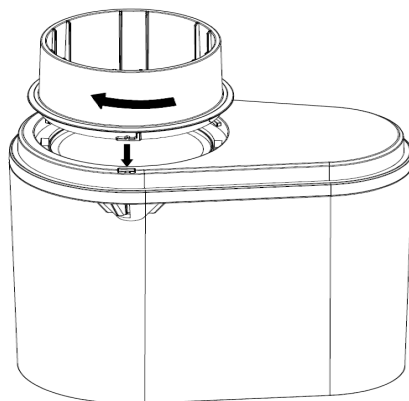


**Step Two:** Install the selected blade inside the lid by turning clockwise until it locks into place.

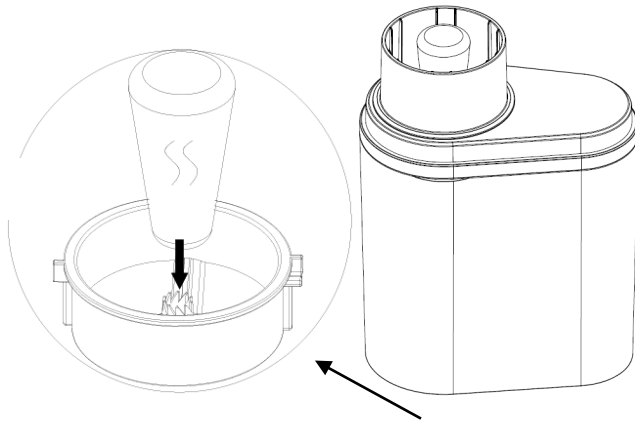


3

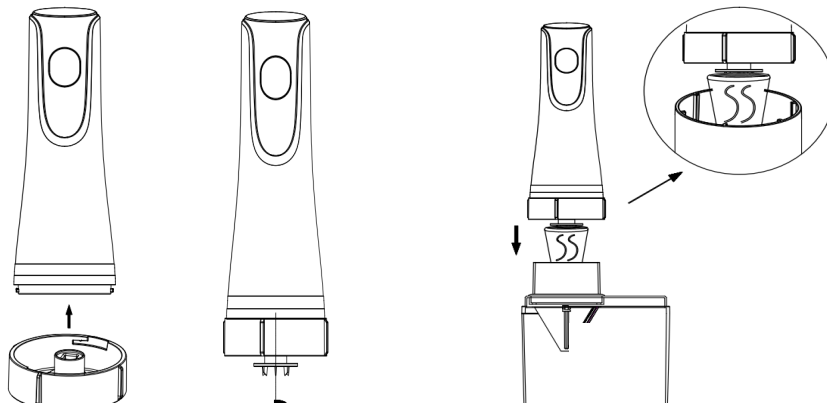
**Three:** Install the food chute (G) into the lid by rotating clockwise until it locks into place



**Step Four:** Place a single piece of food in food chute. For best results, cut food no longer than food chute's height and no more than 7cm wide. Both ends of food should be cut flat to allow food holder to rotate with ease. Place food in the center of the blade, press until it holds in place.



**Step Five:** Place the food holder (B) into the unit. Place unit into food chute by aligning with ridge.



**Step Six:** Make sure the food is installed on the inside pillar of the blade then plug unit in. Hold the unit with one hand and rest the other hand on the lid. Push while slowly pressing down with unit until most of food is processed. Approximately 1 cm of food will remain unprocessed.

**WARNING: IF THE BLADES ARE NOT INSTALLED IN THE CORRECT POSITION, THE UNIT WILL NOT WORK. PLEASE INSTALL THE BLADES INSIDE THE BOWL IN THE CORRECT POSITION TO MAKE SURE THE UNIT IS WORKING PROPERLY.**

## **BLADE USEAGE**

1. Carefully install the blades (C, D and E) inside the lid correctly by rotating clockwise.
2. Both ends of food should be cut flat to allow the food holder to rotate the food.
3. Place food in the center of the blade.
4. Put the food holder into the unit.
5. Slide unit into food chute by aligning the ridge.
6. The unit has start/stop button, keep press the button for continuous working.
7. When change blades remove carefully by rotating anti-clockwise.

## **CLEANING AND CARE**

Handle the blades with care as they are extremely sharp.

Before cleaning, please allow the appliance to cool down completely and ensure it has been unplugged.

The bowl can be rinsed under water but must not be placed in the dishwasher.

Clean the surface of the motor unit with a damp cloth; never immerse in water, and ensure all parts are fully dried.

Do not use any abrasive detergents or alcohol-based cleaning products.

If the plastic parts become stained by foods such as carrots, rub the affected areas with a cloth soaked in vegetable oil and then clean as normal.

Once fully dry, keep all accessories together for ease of use next time, and store the appliance in clean, dry place away from extreme temperatures and moisture.

## **TROUBLESHOOTING**

<b>Questions</b>	<b>Answers</b>
The product is not working	<ul style="list-style-type: none"><li>• Make sure voltage is compatible</li><li>• Make sure it is fully plugged in</li><li>• Make sure the power cord and socket is in good condition</li><li>• Make sure you hold the button down throughout use</li></ul>
Food splits into circles	<ul style="list-style-type: none"><li>• Make sure both ends of food are cut flat</li><li>• Make sure food is installed on the inside pillar of the blade</li><li>• Make sure the food is held by the food chute</li><li>• Make sure the food chute is aligned with the ridge</li></ul>

### ***Environmental protection:***



To avoid environmental or health problems due to hazardous substances in electrical and electronic goods, appliances marked with this symbol mustn't be disposed of with unsorted municipal waste, but recovered, reused, or recycled.

## **GUARANTEE AND SERVICE**

Your new VITINNI™ product comes with a 12 month warranty.

Defects affecting product functionality may be corrected by replacement or repair provided the product is used and maintained in accordance with the instructions. This does not apply to damage or wear sustained by improper use of the accessories or the appliance. Your statutory rights are not affected. Documentation, packaging, and product specifications may change without notice.

## **CUSTOMER SERVICE**

If you wish to return your product for a full refund the item must be unused, in its original packaging and returned in a sellable condition. Please contact our Customer Service team within 24 hours who will be able to assist with your enquiry

The product is not user-serviceable; do not attempt to repair it yourself as this may put you at risk of harm from live components, and will also void your warranty.

If the appliance is not working please read the instructions and check the plug, fuse, and circuit breaker. If this doesn't solve the problem please ring our Customer Service team, as they may be able to offer advice.

If you ring Customer Service, please have the SAP code ready to help us assist you with your enquiry. This can be found on page 1 of this manual.

If they advise you to return the product to us please pack it carefully and include a note with your name, address, daytime telephone number and details of the fault. If the product is still under guarantee please include proof of purchase.

## **CONTACT US**

**Phone:** 01706 716 116 (Mon-Fri 9am to 5pm)

**Email:** [support@vitinni.co.uk](mailto:support@vitinni.co.uk)

**Address:** Vitinni, Vale Mill (Rochdale) Ltd, Robinson Street, Rochdale, OL16 1TA